

MODEL BD AIRBRUSH

SPECIFICATIONS	BD-200
Nozzle diameter:	0.2mm
Fluid Cup capacity:	2cc

APPLICATIONS

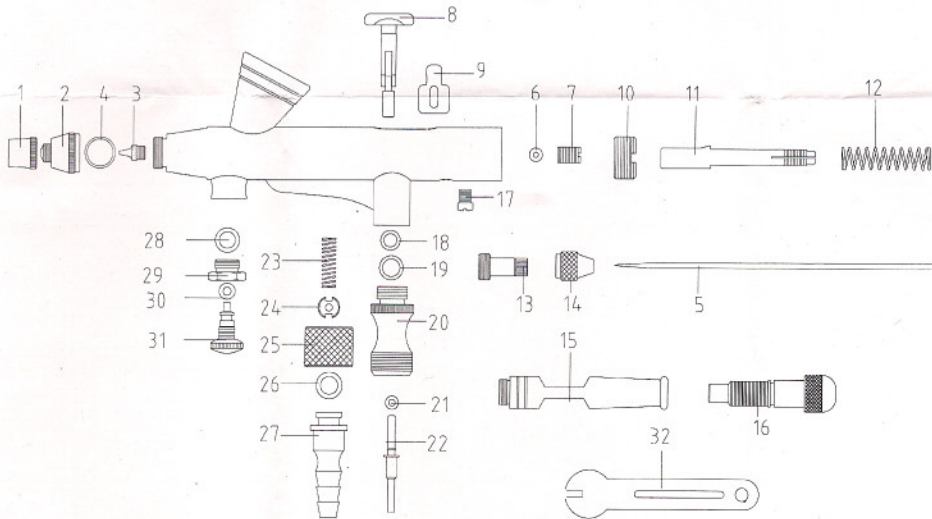
Commercial arts, illustrations, photo retouching, hobby and crafts

HOW TO SPRAY

1. Fill fluid in the cup after thinning appropriately.
2. Hold the airbrush lightly in your hand.
3. By pressing the main lever, a stream of air emerges. Then draw it backward gradually for Color atomization.
4. The spray pattern is in accordance with the distance between a work surface and an airbrush.
5. For fine line spray, remove the needle cover and hold the airbrush near a work surface.

MAINTENANCE

1. Empty the fluid cup and wash with water or solvent with a brush.
2. Refill cup with water or solvent, then block the needle cover with a finger and spray. The air flows backward into nozzle to clean the paints remained the airbrush.



Parts Name

- | | | |
|---------------------------|-------------------------------|-------------------------------|
| 1. Needle Cap | 12. Spring | 23. Valve Spring |
| 2. Nozzle Cap | 13. Spring Case | 24. Valve Screw |
| 3. Nozzle | 14. Needle Chucking Net | 25. Hose Connector Nut |
| 4. O-Ring for Nozzle Cap | 15. Standard-Handle Adjusting | 26. O-Ring for Hose Connector |
| 5. Needle | 16. Adjusting Screw | 27. Hose Connector |
| 6. O-Ring | 17. Guide Screw | 28. O-Ring |
| 7. Needle Guide | 18. Lever Guide O-ring | 29. Setscrew |
| 8. Operation Lever | 19. Valve O-Ring | 30. O-Ring |
| 9. Lever Guide | 20. Valve Body | 31. Adjuster |
| 10. Stopper | 21. Valve Rod O-Ring | 32. Nozzle Spanner |
| 11. Needle Chucking Guide | 22. Valve Rod | |